

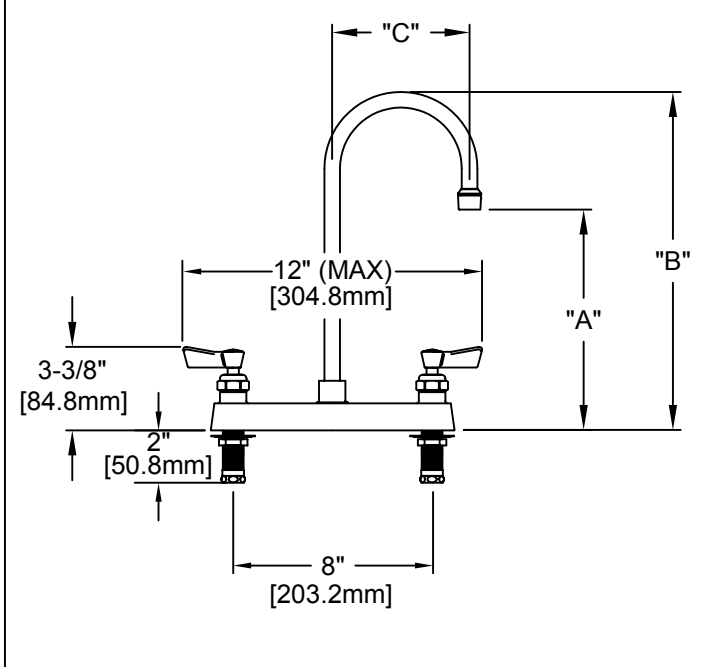
APPLICATION:

PRODUCT NAME:  
**8" C/C DECK FAUCET**

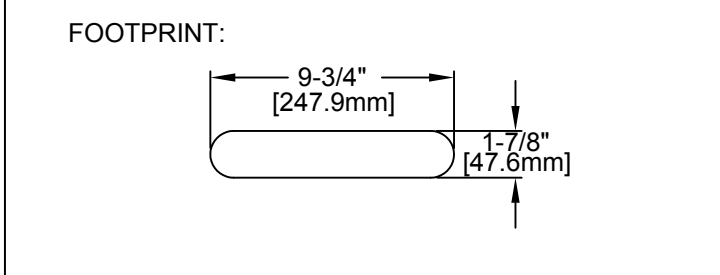
JOB NAME:

- \_\_\_\_\_ SPECIAL CONFIGURATION  
(CHECK BASE MODEL AND OPTIONS)
- MODEL:
- 3316 WITH 12" RIGID GOOSENECK SPOUT
  - 1848 WITH 6" RIGID GOOSENECK SPOUT

QUANTITY:                      ITEM NO.:



- OPTIONS OR MODIFICATIONS:
- SUPPLY LINES (24" OR 36") CIRCLE LENGTH
  - VANDAL RESISTANT KIT
  - HANDLES (CROSS OR WRIST) CIRCLE STYLE
  - OTHER \_\_\_\_\_

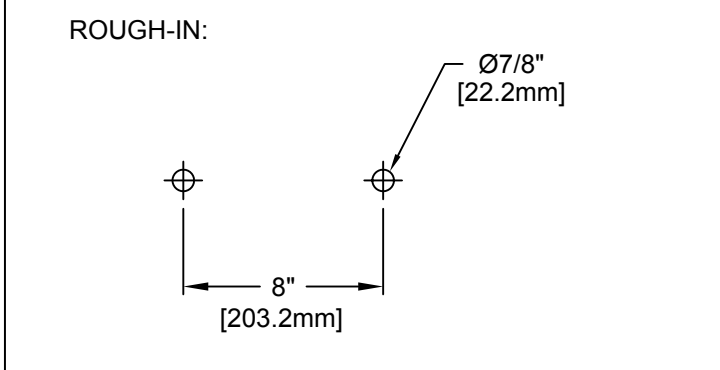


- FEATURES:
- \* 8" C/C DECK MOUNT
  - \* SWIVELING SEAT DISKS
  - \* HOT SIDE STEM - RIGHT HAND
  - \* COLD SIDE STEM - LEFT HAND
  - \* STAINLESS STEEL SEATS
  - \* STAINLESS STEEL SEAT SCREWS
  - \* STAINLESS STEEL HANDLE SCREWS
  - \* 1/2" SLIP JOINT
- SYSTEM LIMITS
- \* TEMP: 40°F MIN. TO 140°F MAX.
  - \* PRESSURE 200 PSI MAX. STATIC
  - \* 2.20 GPM AT 80 PSI

MODEL	DIM "A"	DIM "B"	DIM "C"
3316	8-1/2" [215.9mm]	12-1/2" [317.5mm]	5-1/2" [139.7mm]
1848	4-3/4" [120.7mm]	8-3/8" [212.7mm]	3-1/2" [88.9mm]

SHIPPING WEIGHT

- \* 5.5 LBS



ANSI/A112.18.1M, ANSI/NSF 61.9

**FISHER**

FISHER MANUFACTURING COMPANY  
TOLL FREE: 800-421-6162 - FAX: 800-832-8238  
information@fisher-mfg.com - www.fisher-mfg.com